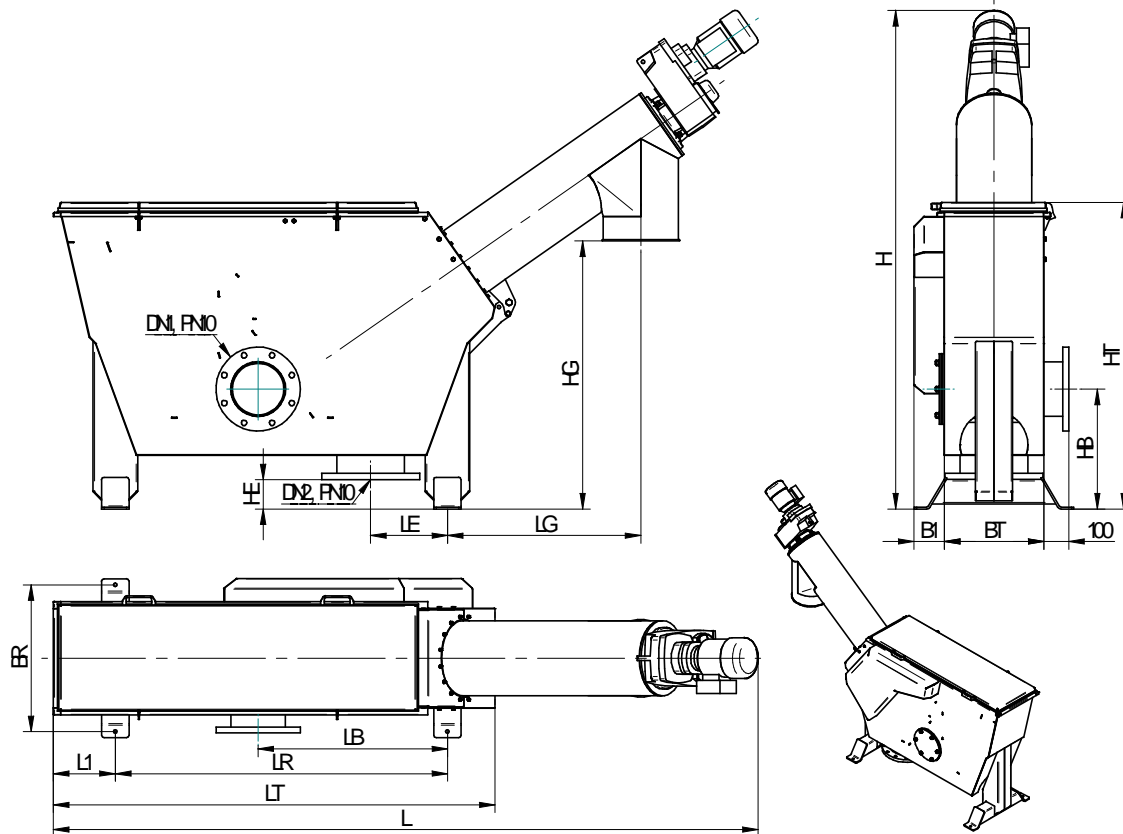


Fine lattice, type DR, cleaning by machine



TECHNICAL DATA:

Type	Q [l/s]	Q [m ³ /h]	P [kW]	Nominal diameter [mm]	Filter fineness [mm]	Weight empty [kg]	Operating weight [kg]
DR200 Mini	6,5	24	0,25	200	S=Ø3, Ø5,	104	130
DR200 Mini+	6,5	24	0,25	200	S=Ø3, Ø5, KR: 10	123	145
DR-250	15	54	0,25	200	S=Ø3, Ø5, KR: 10	180	240
DR-275	25	90	0,25	200	S=Ø3, Ø5, KR: 10	252	355
DR-375	40	144	0,55	300	S=Ø3, Ø5, KR: 10	338	495
DR-3100	55	198	0,55	300	S=Ø3, Ø5, KR: 10	412	660
DR-4100	75	270	0,75	400	S=Ø3, Ø5, KR: 10	534	870

SIZES:

Type	DN1	DN2	HB	LB	HE	LE	HG	LG	H	L	HT	LT	BT	B1	LR	L1	BR
DR-250	100	150	615	570	348	225	1035	623	1794	2050	1190	1230	304	100	850	205	493
DR-275	150	200	485	899	173	310	1028	629	1812	2490	1190	1630	304	100	1200	240	493
DR-375	200	250	485	764	118	310	1086	781	2016	2843	1240	1780	404	120	1340	250	593
DR-3100	250	300	500	935	98	375	1230	856	2160	3284	1390	2230	404	140	1680	275	593

The DR200 Mini, Mini DR200 + and DR-4100 type fine lattice Mounting dimensions can be found in separate datasheets.