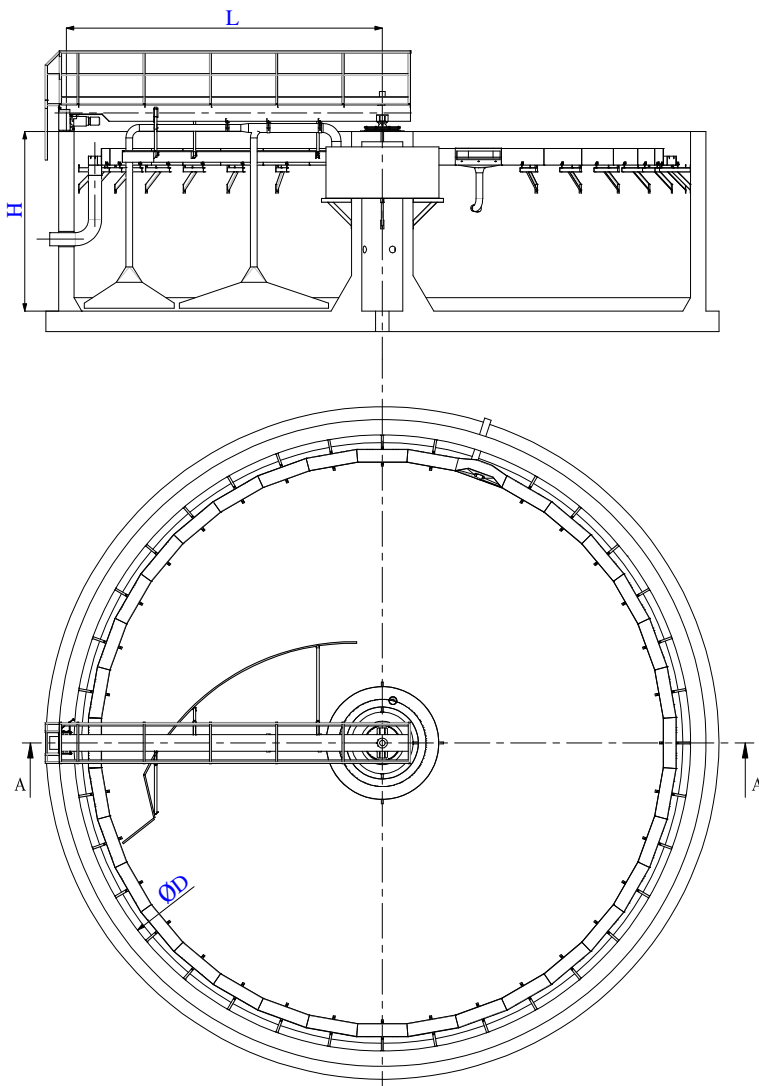


### *Peripheral drive siphon sedimentator*

The product group consists of standard type units. The technology and size-dependent structural units may vary.



**Inclination of the bridge:**

L/200, L/400

**Power load:**

0,18-0,37 kW

**Peripheral speed:**

0,03 m/s

**Inner diameter of structure**

(ØD): to 0-50 m

**Material of the bridge:** the parts contacting the water are made of anti-corrosion steel, other parts are of carbon steel, zinc-coated, anti-corrosion steel, or glass-fibre reinforced plastics, depending on the size

**Example:**

**KFK-US-18,0 / 3,5**

**Mode of Ordering:**

KFK-US-  /



Structure depth (m)

Inner diameter of structure (ØD) (m)