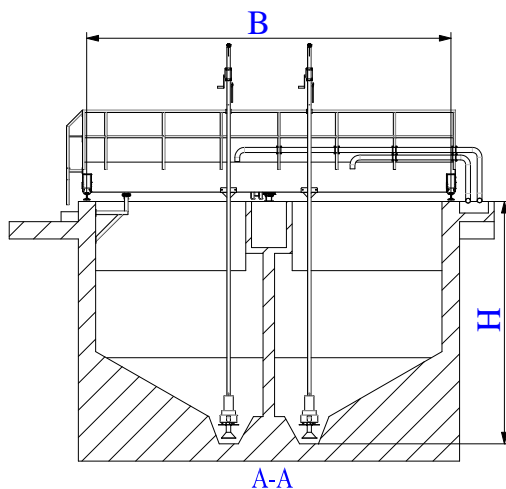


Pump sedimentator

The product group consists of standard type units. The technology and size-dependent structural units may vary.



Inclination of the bridge:

L/200, L/400

Power load:

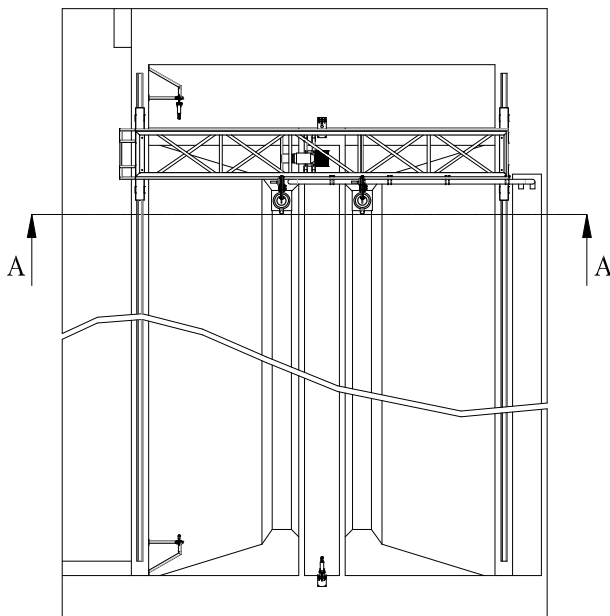
0,37-0,55 kW

Speed of the bridge:

0,03 m/s

Tread (B):

to 3-15 m



Material of the bridge: the parts contacting the water are made of anti-corrosion steel, other parts are of carbon steel, zinc-coated, anti-corrosion steel, or glass-fibre reinforced plastics, depending on the size

Example:

LAK-UP-12,0 / 3,5

Mode of Ordering:

LAK-UP- /



Tread (B) (m)
Structure depth (m) (H)