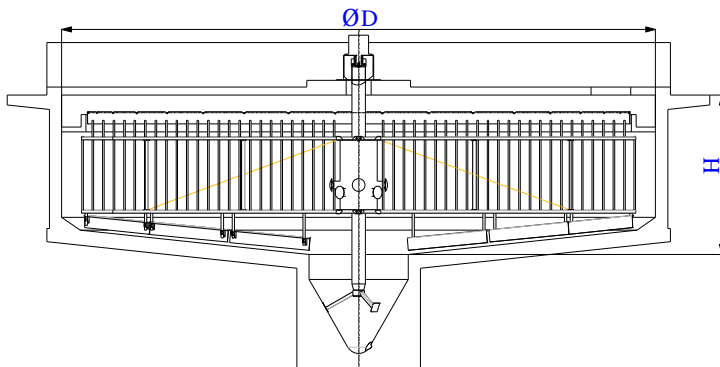


### *Center drive bar sedimentator*

The product group consists of standard type units. The technology and size-dependent structural units may vary.



**Power load:**

0,25-0,45 kW

**Peripheral speed:**

0,03 m/s

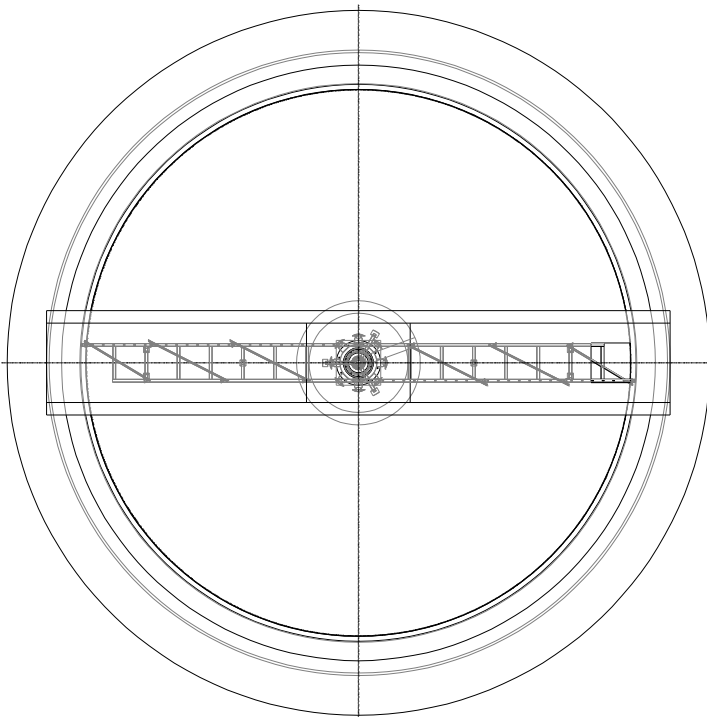
**Inner diameter of structure**

(ØD): to 0-20 m

**Material of the bridge:** the parts contacting the water are made of anti-corrosion steel, other parts are of carbon steel, zinc-coated, anti-corrosion steel, or glass-fibre reinforced plastics, depending on the size

**Example:**

**TFK-S-10,0 / 3,0**



**Mode of Ordering:**

TFK-S-  /



**Structure depth (m)**

**Inner diameter of structure (ØD) (m)**